

3 Ports SM, MM 1310/1550nm Filter Wavelength Division Multiplexer

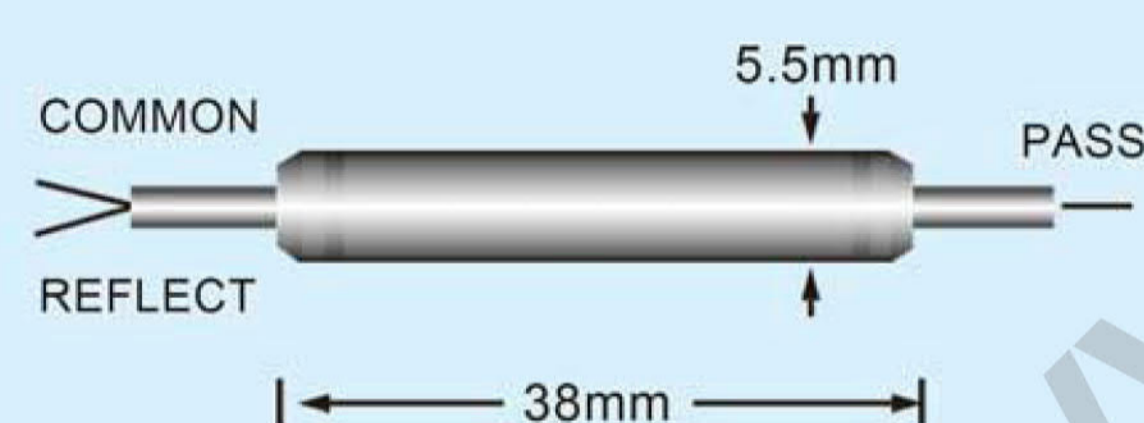
Features

- Wide operating wavelength range
- Low insertion loss
- Ultra flat wide passband
- High channel isolation
- High stability and reliability
- Epoxy free on optical path

Applications

- System monitoring
- WDM system
- Transmitter and fiber laser
- Fiber optical amplifier
- Fiber optic instrument

Package Dimension



Performance Specifications

Parameter		FWDM-53/35
Pass Channel Wavelength Range (nm)		1500 ~ 1600 (or 1260 ~ 1360)
Reflect Channel Wavelength Range (nm)		1260 ~ 1360 (or 1500 ~ 1600)
Insertion Loss (dB)	Pass Channel	≤0.6
	Reflect Channel	≤0.4
Isolation	Pass Channel	≥30
	Reflect Channel	≥15
Insertion Loss Temperature Sensitivity (dB)		≤0.3
Polarization Dependent Loss (dB)		≤0.1
Polarization Mode Dispersion (ps)		≤0.1
Directivity (dB)		≥50
Return Loss (dB)		≥45
Maximum Power Handling (mW)		300
Operating Temperature (°C)		-10~+70
Storage Temperature (°C)		-40~+85
Package Dimension (mm)	For 250μm, 900μm	Φ5.5 x L38
	For 2.0mm, 3.0mm	L90 x W20 x H10

Above specifications are for devices without connector.
Specifications may change without notice.

Ordering Information

FWDM	<input type="checkbox"/>	<input type="checkbox"/>	<input type="checkbox"/>	<input type="checkbox"/>	<input type="checkbox"/>	<input type="checkbox"/>
	Wavelength	Package	Fiber Type	Fiber Diameter	Fiber Length	Connector
	35=1310 pass 53=1550 pass	1=Steel Tube 2=ABS Box Module 3=Specify	1=SM 9/125 2=MM 50/125 3=MM 62.5/125	0=250μm 1=900μm 2=2.0mm 3=3.0mm	1=1m 2=2m S=Specify	0=None 1=FC/APC 2=FC/UPC 3=SC/APC 4=SC/UPC 5=LC/APC 6=LC/UPC 7=ST S=Specify